



Model F05 Non-Metallic

AIR OPERATED DOUBLE DIAPHRAGM PUMPS

Specifications

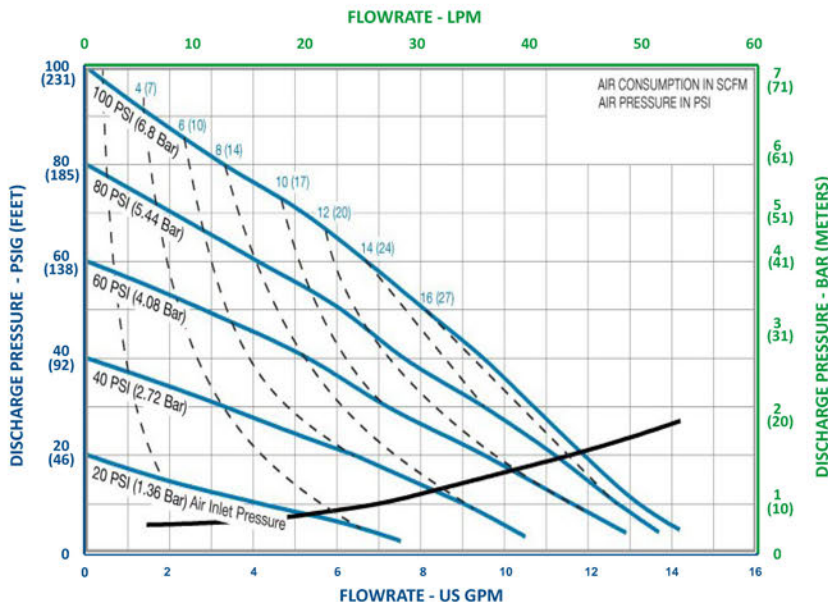
Suction & Discharge Size:	1/2" FNPT x 1/2" NPT
Porting Location:	Center
Connection Types:	NPT/BSP
Air Inlet:	1/2" FNPT
Porting Location:	Center
Exhaust port:	3/8" FNPT, optional
Polypropylene Shipping Weight :	16 lbs. (8kg)
PVDF Shipping Weight :	18 lbs. (9kg)

Capabilities

Maximum Flow Rate:	14 gpm (52 lpm)
Maximum Air Supply Pressure:	100 psi (7 bar)
Displacement Per Stroke:	0.026 gal (0.098 lit)
Minimum Air Inlet Pressure:	10 psig (0.7 bar)
Maximum Particle Size :	0.125 in (3 mm)
Operating temperature:	Determined by elastomers



F05 Performance



Note: Full stroke diaphragm allows performance to be equal for all elastomers.

Typical Applications

- Acids & Bases
- Plating Solutions
- Wastewater
- Paints, Inks, Solvents
- Ceramic Slip and Glaze
- Lubricants and Oils

Typical Industries

- Mining
- Paints and Coatings
- Ceramics
- Pulp and Paper
- Electroplating & Anodizing
- Wastewater
- Marine
- Chemical Manufacturing & Distribution
- OEM's

FTA Pumps

27027 Westheimer Pkwy, Katy, TX
Tel: 713 344 1226



Construction

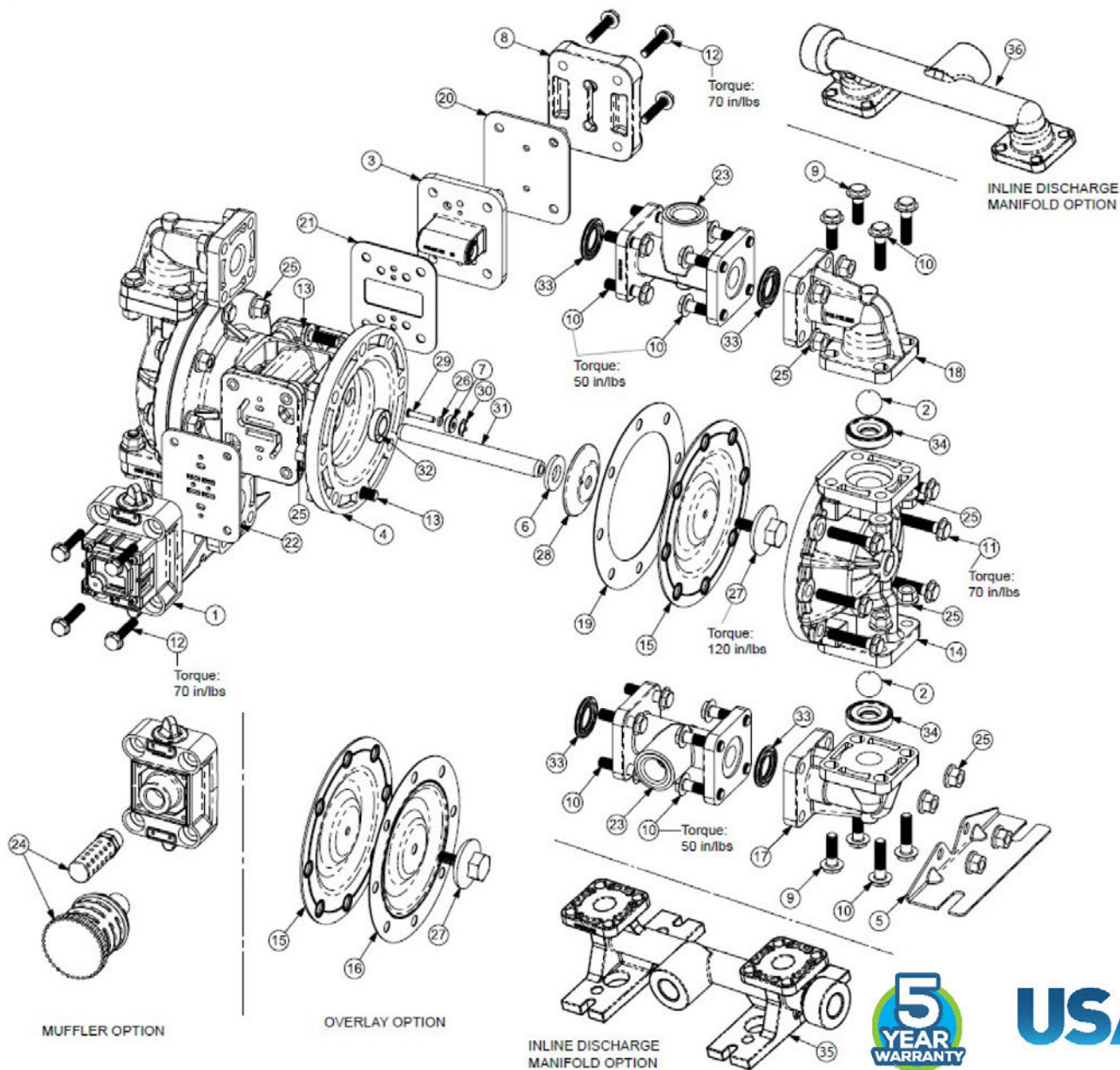
Wetted Materials:	Aluminum/ Stainless Steel
Diaphragm Materials:	Neoprene, Santoprene™, FKM, EPDM, PTFE, Buna, Hytrel®, Polyurethane
Air Valve:	GFRPP, Aluminum
Ball Materials:	Neoprene, Buna, EPDM, FKM, Santoprene™, PTFE
Seat Materials:	Aluminum, 316SS, PTFE, Hytrel, Buna, Neoprene, EPDM, FKM, Santoprene™, Polyurethane
O-ring Materials:	Neoprene, Buna, EPDM, FKM, PTFE, FEP/FKM

Santoprene™ is a registered trademark of Exxon Mobil Corp.
 Hytrel® is a registered trademark of Dupont™

THE RIGHT CHOICE

Dimensions

Maximum Height:	11.54 in (293.00 mm)
Maximum Width:	10.11 in (257.00 mm)
Maximum Depth:	7.13 in (181.00 mm)



USA

FTA Pumps

27027 Westheimer Pkwy, Katy, TX
 Tel: 713 344 1226

